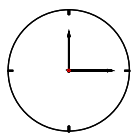


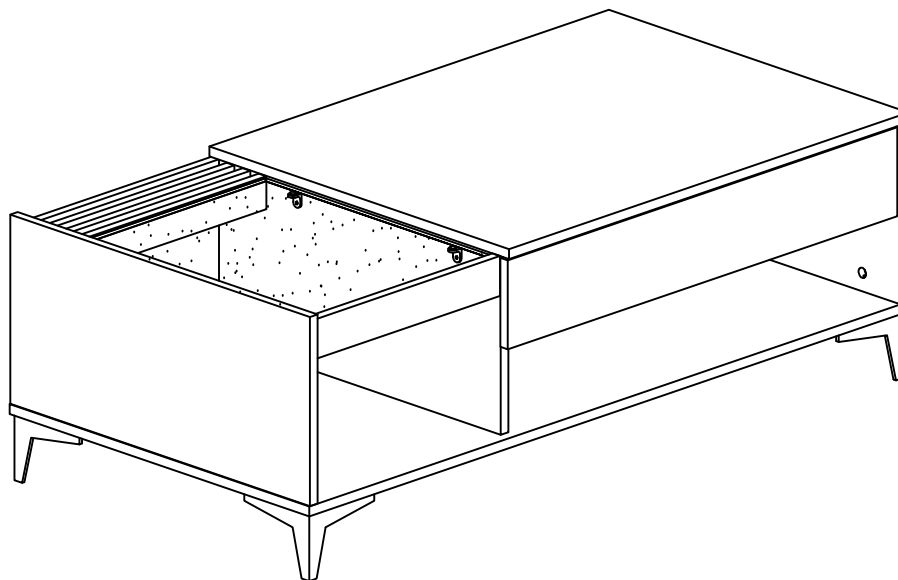
2 Persons



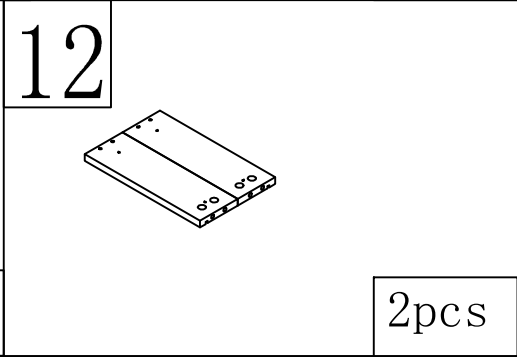
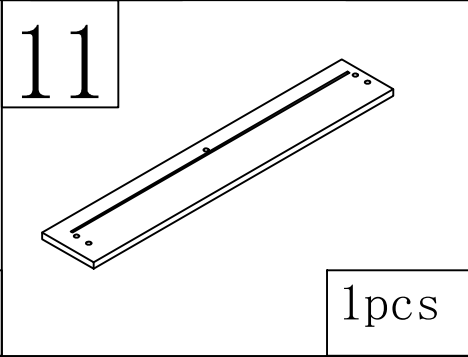
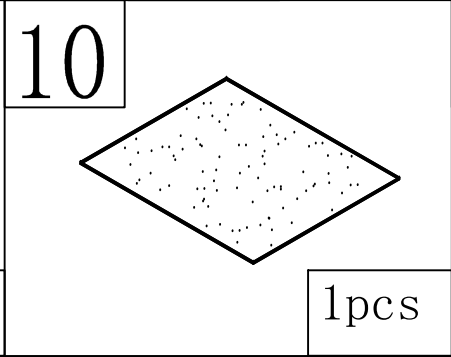
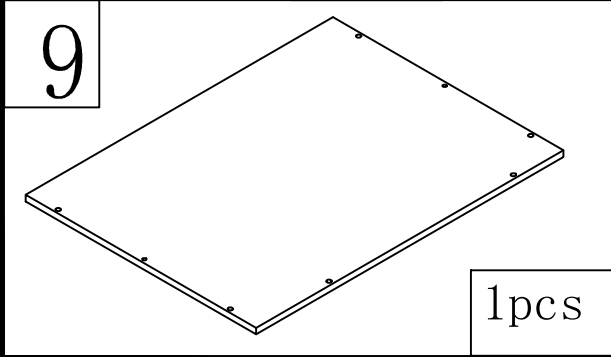
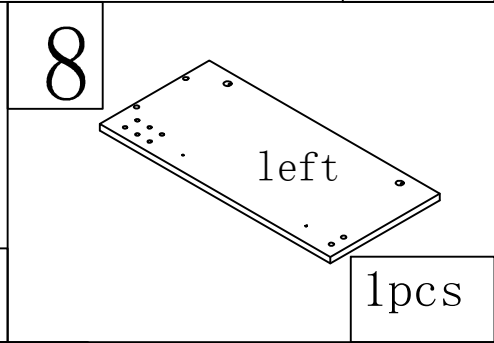
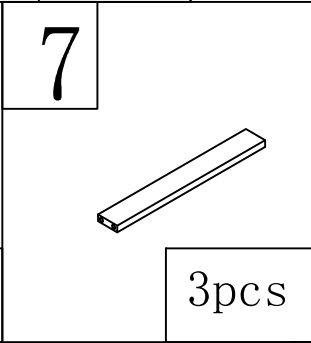
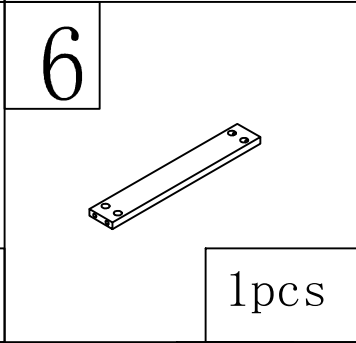
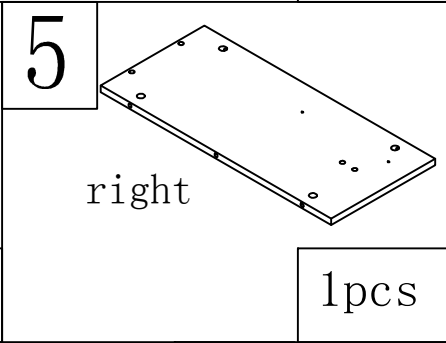
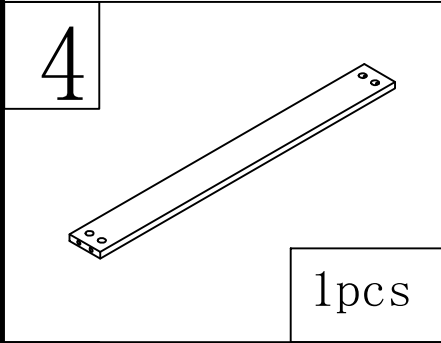
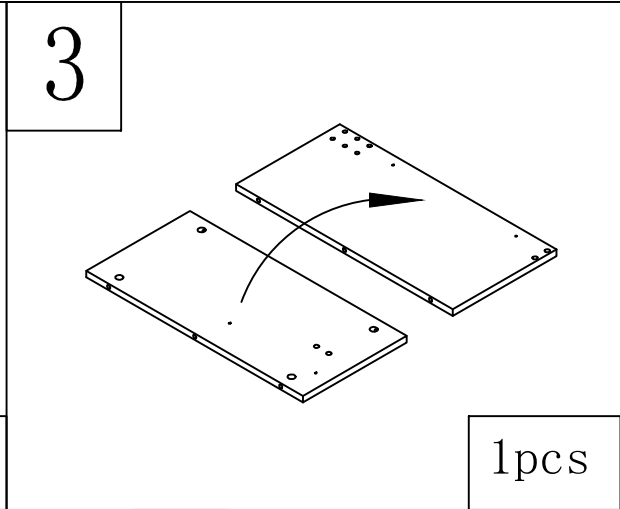
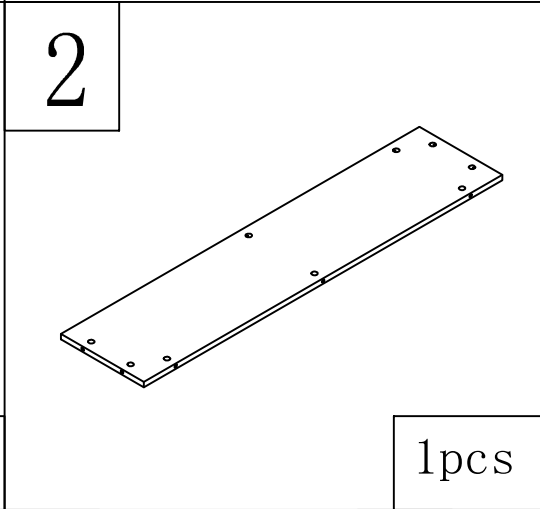
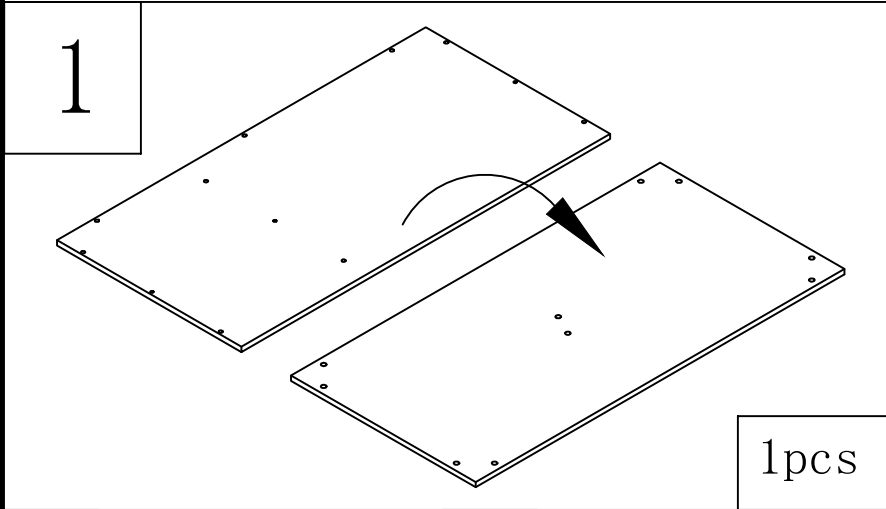
2 hours

MODEL:AX-LR02B # Coffee Table

1



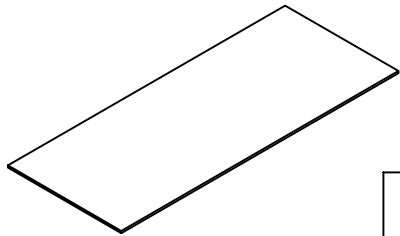
MODEL:AX-LR02B # Coffee Table



MODEL:AX-LR02B # Coffee Table

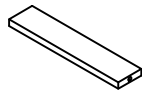
3

13



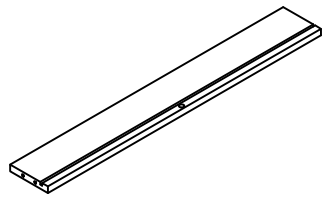
1pcs

14



1pcs

15



1pcs

T*5PCS

O*10PCS

E: 20PCS

A*9PCS

1

A*10PCS

B*8PCS

C*4PCS

2

C

30

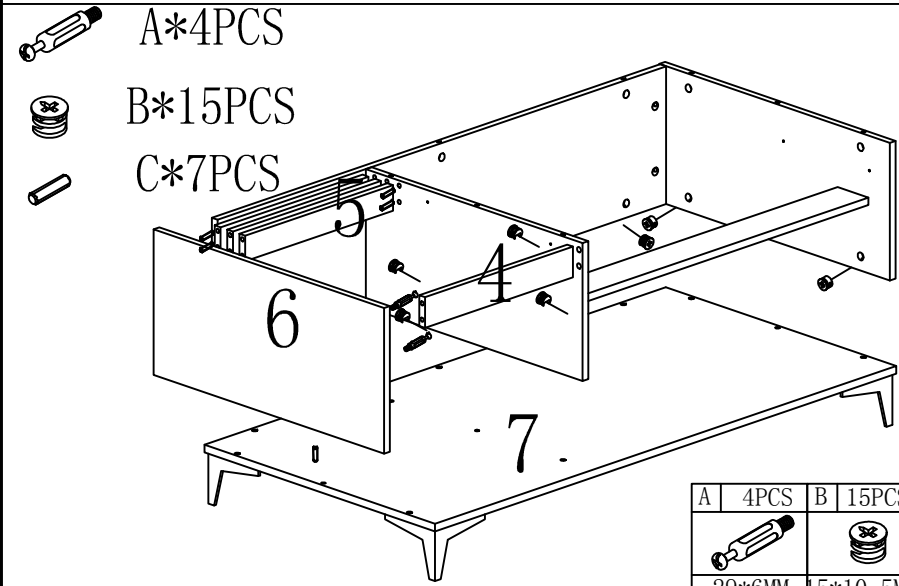
A	9PCS	E	20PCS	O	10PCS	A	10PCS	B	8PCS	C	4PCS
29*6MM		Ø3.5x14		Ø6*12		29*6MM		15*10.5MM		8*30MM	

A

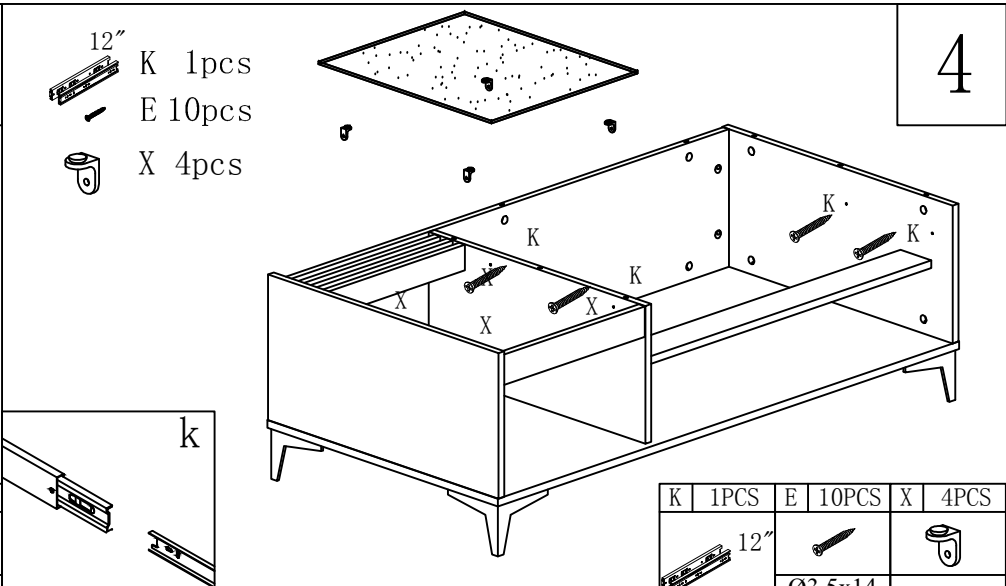
B

MODEL:AX-LR02B # Coffee Table

4



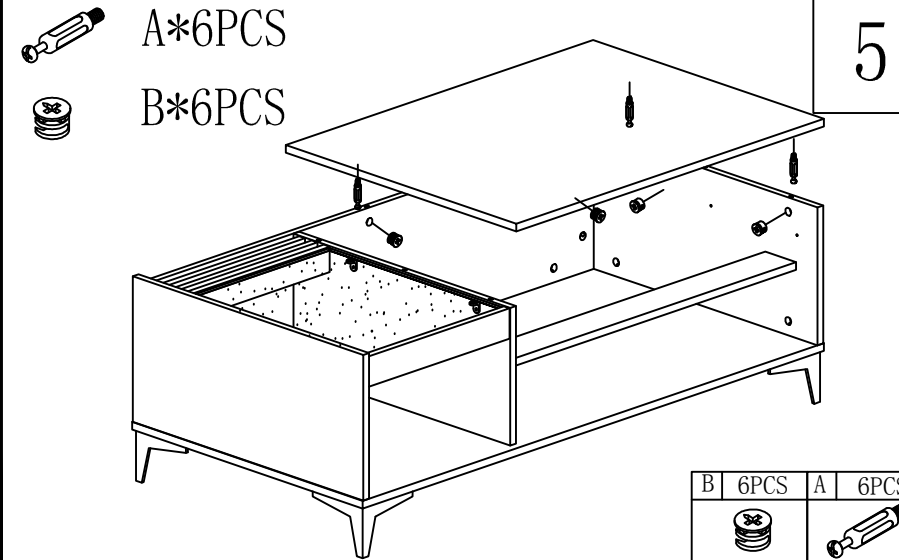
3



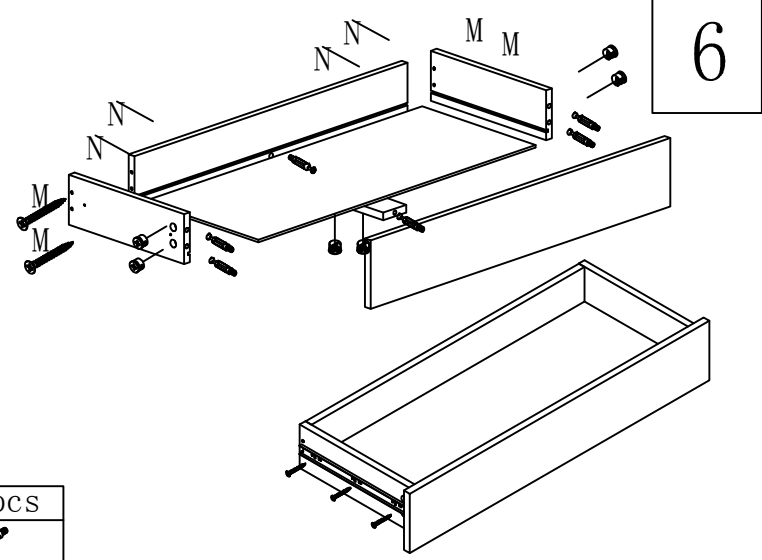
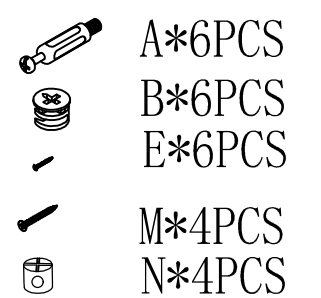
4

A	4PCS	B	15PCS	C	7PCS
29*6MM		15*10.5MM		8*30MM	

K	1PCS	E	10PCS	X	4PCS
	12"		Ø3.5x14		



5



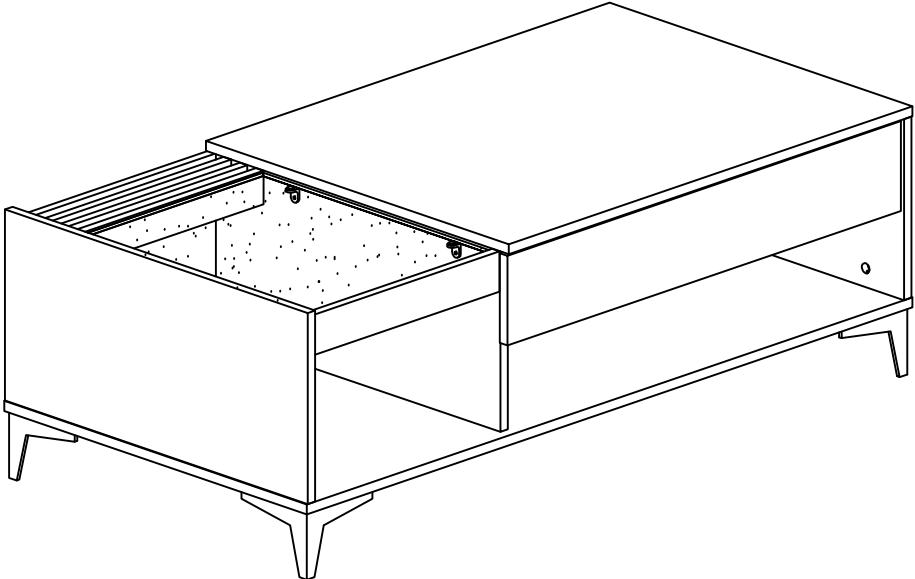
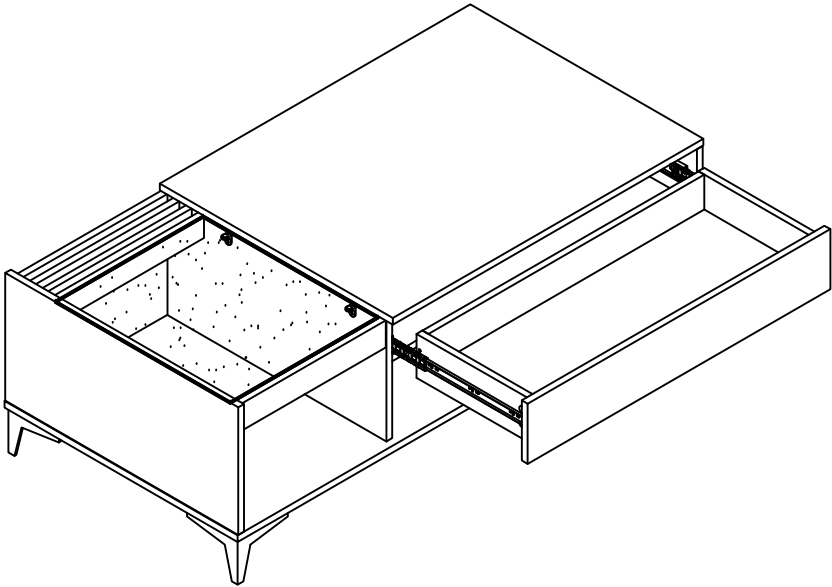
6

B	6PCS	A	6PCS	N	4pcs	M	4pcs
15*10.5MM		29*6MM		10*10		3.5*50	
				E	6pcs	B	6pcs
				3.5*14MM		15*10.5	
						A	6pcs
						6*29MM	

MODEL:AX-LR02B # Coffee Table

5

7



OK